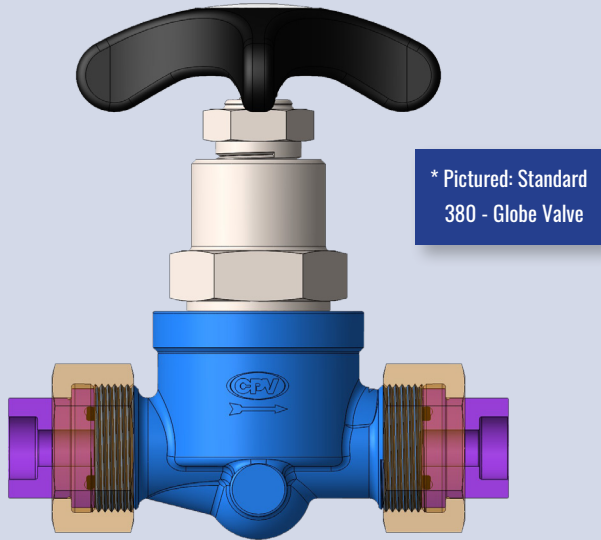


O-SEAL[®] Hand Valves

Description:

O-SEAL[®] Hand Valves are the industry's standard bearer for bubble-tight performance and robust longevity. These valves utilize a flat-faced, soft seated design for leakproof reliability, slip-in/slip-out functionality, unrivaled flexibility & versatility.



Features & Benefits:

- Valve Types: Shutoff, Needle, Stop-check & Check
- Body Styles: Globe, Angle, Weld Globe and Weld Angle
- Pressure Ratings from vacuum to 6000 PSI (414 BAR); Select types for 7500 PSI (517 BAR)
- Temperature Range of -70°F to 400°F (-56°C to 205°C)
- Designed for: Piping systems from 1/8" to 2.00" and Tubing systems from 1/4" to 2.50"
- Options include: Panel Mount, Vacuum Service, Custom Porting & Venting
- Interchangeable cartridge design
- Easy to service or rebuild with Softgoods kits
- 100% Factory pressure tested to 1.5X MAWP
- Wide range of end connection versatility via direct end connections to O-SEAL[®] fitting portfolio.

Applications:

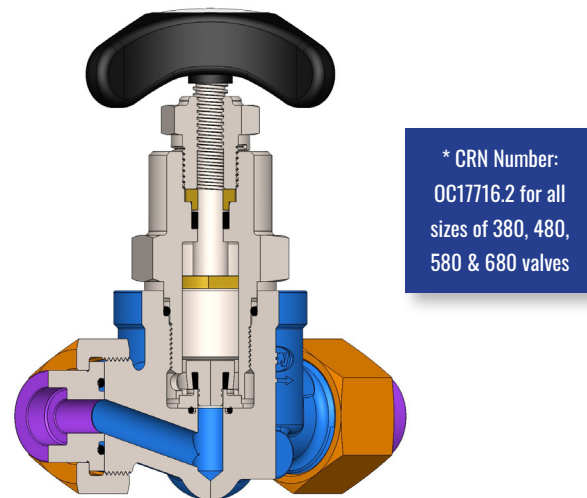
O-SEAL[®] Hand Valves are optimized for high-pressure gas and fluid applications in Oil & Gas, Petrochemical, Industrial Gases, Chlorine, Power Generation, Pulp & Paper & various other industries.

- Specified for use in petrochemical refineries in the production of Propylene and Polyethylene.
- Relied on in the compressed gas industry for the filling of Pure, Mixed, & Specialty Gas Cylinders.
- The go-to valve in the marine industry for shipboard use for all liquid and gas applications.

Materials of Construction:

Standard O-SEAL [®] Valve Materials		
Component	Material	Specification
Body	Ni-Al-Brz	ASTM B148
Bonnet	Ni-Al-Brz	ASTM B150
Gland Nut	Al-Brz	ASTM B148
Stem	316/ L Stainless Steel	ASTM A276
Guide (Sizes -2 thru -8 only)	Cu-Ni 70/30	MIL-C-15726
Seat	Ni-Cu (Monel [®])	ASTM B164
Retainer	Naval Brass	ASTM B21
Sealing Disc*	Nylon	NYLON 66
Handle	Aluminum	ASTM B221

* Other sealing Disc material options available.



O-SEAL® Check Valves

Description:

O-SEAL® Check Valves are engineered with a stainless steel helical spring that provides reliable and economical insurance against water hammer and pressure surge. These valves feature a streamlined design and full flow through the valve body, assuring a safe piping system and minimum head loss proven in both service and testing.

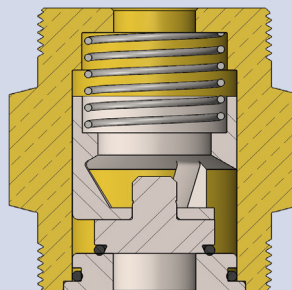
Features & Benefits:

- Pressure Ratings from vacuum to 6000 PSI (414 BAR);
Select types for 7500 PSI (517 BAR)
- Temperature Range of -70°F to 400°F (-56°C to 205°C)
- Soft-seated for bubble-tight shutoff
- Spring actuated, effectively eliminating pressure surges, reverse flow, and wear associated with swing checks
- Can be installed in any position, including vertical down and diagonal
- Body Styles: Globe, Angle, Weld Globe, Weld Angle and Inline
- Cartridges can be swapped into existing shutoff, needle, or stop-check bodies
- Union style end connections featuring CPV's O-SEAL® O-Ring Face Seal (ORFS) connection.

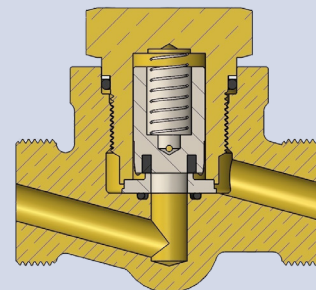
Two Models of Check Valves Available:

- 123A In Line Check - features a compact body and bubble-tight seal
- 680 Globe Check - often selected for block manifolds for hydraulic valve actuation

123A: Inline Check



680: Globe Check



Materials of Construction:

680 Style O-SEAL® Check Valve Materials		
Component	Material	Specification
Body	Ni-Al-Brz	ASTM B148
Bonnet	Ni-Al-Brz	ASTM B150 (Sizes -0 thru -4)
		ASTM B148 (Sizes -5 thru -8)
Guide	Cu-Ni 70/30	MIL-C-15726
Seat	Ni-Cu (Monel®)	ASTM B164
Sealing Disc*	Nylon	NYLON 66
Spring	302 S.S.	ASTM A313

* Other sealing Disc material options available.

123A Inline O-SEAL® Check Valve Materials		
Component	Material	Specification
Body	Al-Brz	ASTM B150
Guide	304 S.S.	ASTM A276
Seat	304 S.S.	ASTM A276
Disc	304 S.S.	ASTM A276
Spring	302 S.S.	ASTM A313

