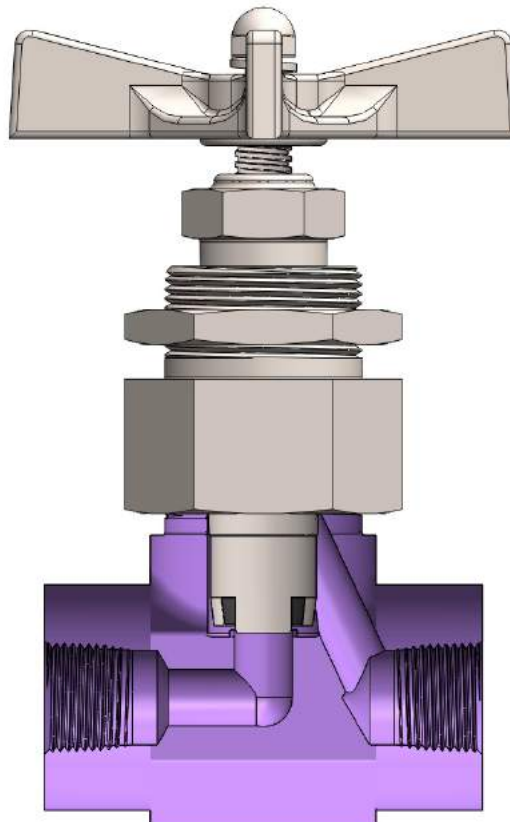


G-Series®

Simplified and compact version of our proven soft-seat design provides reliable heavy-duty service and long life.

- Manufactured with permanent soft seats (sealing disc) to provide years of bubble-tight shutoff for applications requiring long term dependability
- All G-Series® valves have the advantage of large flow areas and construction of wetted parts in 316/L Stainless Steel
- A full line of shutoff, needle, and check valves
- Six common orifice sizes ranging from .219" to .813"
- Pressure ratings from vacuum to 6000 PSI (413 bar)
- Temperature range of -15°F to 400°F (-26°C to 204°C) with standard Viton® O-Ring and Stem Seal*
- Standard panel mount configuration with a replaceable valve cartridge

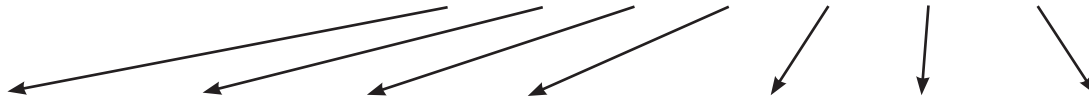
*See ordering matrix on next page for temperature ranges of optional O-Ring materials.



G-Series® Ordering Information

EXAMPLE

G 2 N G PF -06 -C



Product Line	Valve SIZE	Orifice INCH	Valve Type	Body Style	Body End Connection	End Size	*Stem Seal & O-Ring Material
G	0	.218	S Shutoff	G Globe	PF Female NPT PS Socketweld Pipe	-02 1/8"	-B Polyurethane & Buna-N -C all Viton® -D all EPDM -G Polyurethane & Viton®
	1	.313	N Needle			-04 1/4"	
	2	.438	C Check			-06 3/8"	
	3	.500				-08 1/2"	
	4	.625				-10 5/8"	
	5	.813				-12 3/4" -16 1.00" -20 1.25"	

**Where two materials are listed, the first material is the Stem Seal and the second material is the O-Ring.

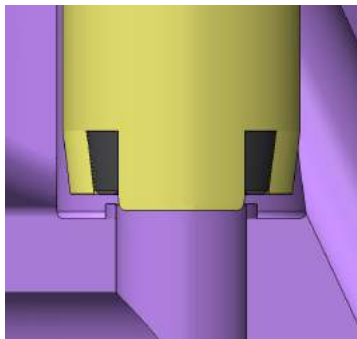
Standard G-Series Valve Materials
Body - 316/L Stainless Steel
Bonnet & Stem - 316/L Stainless Steel
Gland Nut - High Tensile Bronze
Retainer & Panel Nut - Naval Brass
Sealing Disc - Vespel® SP-21
Handle - Aluminum

Stem Seal & O-Ring Temperature Range	
Material Ordering Letter	Temperature range
B	-30°F to 180°F (-34°C to 82°C)
C	-15°F to 400°F (-26°C to 204°C)
D	-70°F to 250°F (-57°C to 121°C)
G	-15°F to 180°F (-26°C to 82°C)

Valve Types

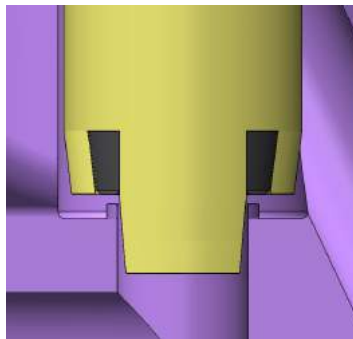
Sealing Disc Configurations

Shutoff



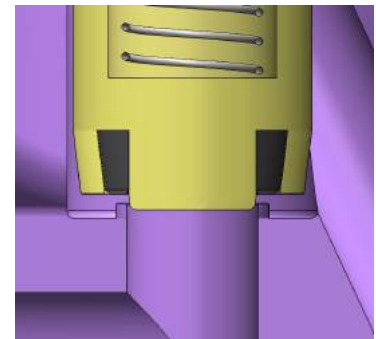
- Fully contained soft seat
- Flat seated for extended wear
- Bubble tight performance

Needle



- Soft seated - bubble tight
- Tapered plug for excellent flow control
- Full flow capability

Check



- Fully ported
- Soft seated
- Spring actuated

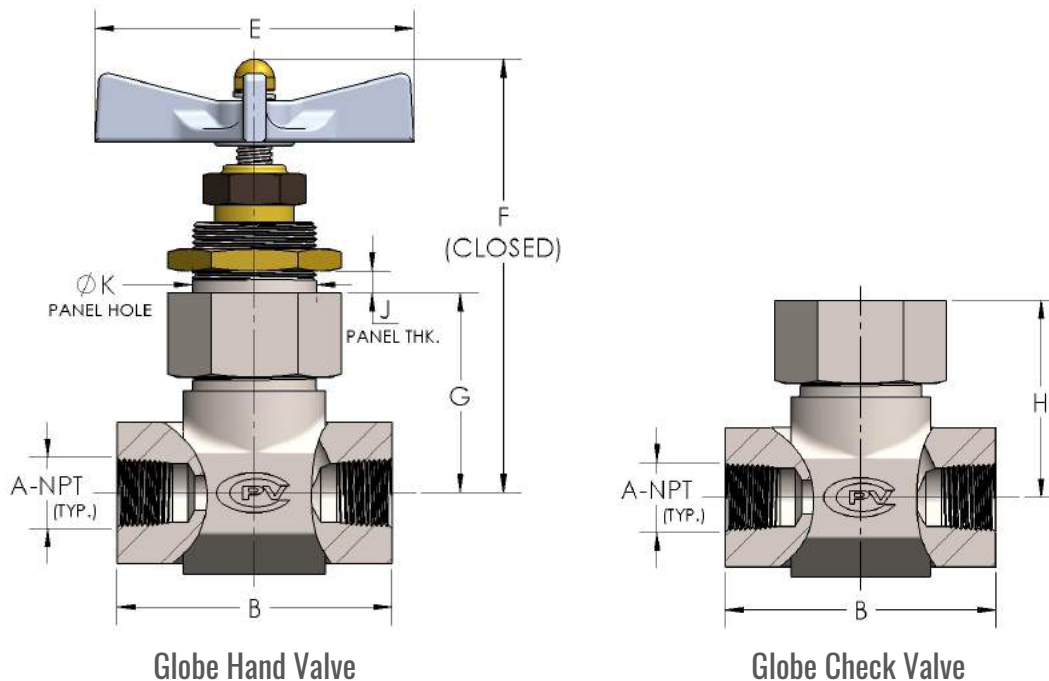
PF End Connection Female Pipe Thread (NPT)

Part Number	Orifice		A-NPT	B	E	F	G	H	J (max.)	K	Pressure Rating	
	Size	Inch										
G0SGPF	-02-*	0	0.218	1/8"-27	2.00	3.50	4.36	1.69	1.19	0.25	1.20	6000 PSI
	-04-*			1/4"-18	2.38							
	-06-*			3/8"-18	2.50							
G1SGPF	-04-*	1	0.313	1/4"-18	2.75	3.50	4.56	1.81	2.06	0.44	1.20	6000 PSI
	-06-*			3/8"-18	2.88							
	-08-*			1/2"-14	3.13							
G2SGPF	-06-*	2	0.438	3/8"-18	3.13	3.50	5.06	2.59	2.66	0.44	1.53	6000 PSI
	-08-*			1/2"-14	3.38							
	-12-*			3/4"-14	3.38							
G3SGPF	-08-*	3	0.500	1/2"-14	3.88	4.50	6.00	2.81	2.88	0.69	1.78	6000 PSI
	-12-*			3/4"-14	4.00							
	-16-*			1.000"-11.5	4.38							
G4SGPF	-12-*	4	0.625	3/4"-14	4.00	5.25	6.00	3.00	3.06	0.56	1.78	6000 PSI
	-16-*			1.000"-11.5	4.38							
G5SGPF	-16-*	5	0.813	1.000"-11.5	4.75	7.25	7.19	3.38	3.31	0.88	2.16	6000 PSI
	-20-*			1.250"-11.5								

Note: Replace the third digit, "S" with an "N" to order a Needle valve. Example: G2NGPF-06-C

Note: Replace the third digit, "S" with a "C" to order a Check valve. Example: G2CGPF-06-C

*Add seal material letter designation. See ordering matrix on page 52.



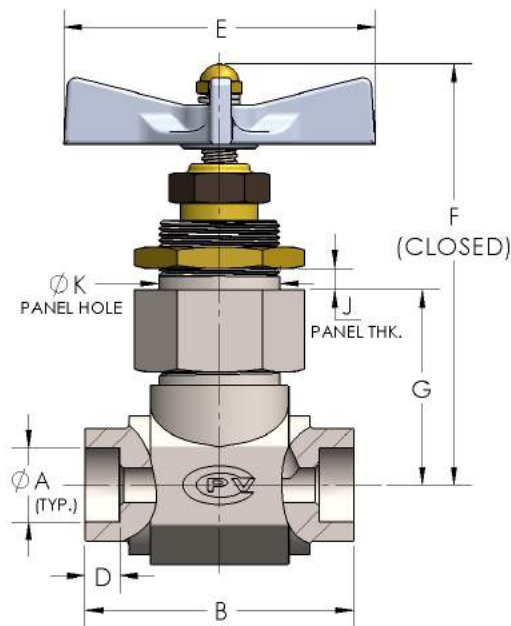
PS End Connection Socketweld Pipe

Part Number	Orifice		A (NPS)	B	D	E	F	G	H	J (max.)	K	Pressure Rating	
	Size	Inch											
G0SGPS	-02-*	0	0.218	0.405	2.38	0.38	3.50	4.36	1.69	1.19	0.25	1.20	6000 PSI
	-04-*			0.540					1.69	1.19			
	-06-*			0.675					1.81	1.31			
G1SGPS	-04-*	1	0.313	0.540	2.50	0.38	3.50	4.56	1.81	2.06	0.44	1.20	6000 PSI
	-06-*			0.675	2.50				1.81	2.06			
	-08-*			0.840	2.75				2.00	2.25			
G2SGPS	-06-*	2	0.438	0.675	3.13	0.38	3.50	5.06	2.59	2.66	0.44	1.53	6000 PSI
	-08-*			0.840	3.13	0.38							
	-12-*			1.050	3.50	0.50							
G3SGPS	-08-*	3	0.500	0.840	3.75	0.38	4.50	6.00	2.81	2.88	0.69	1.78	6000 PSI
	-12-*			1.050	3.88	0.50							
	-16-*			1.315	3.88	0.50							
G4SGPS	-12-*	4	0.625	1.050	3.88	0.50	5.25	6.00	3.00	3.06	0.56	1.78	6000 PSI
	-16-*			1.315									
G5SGPS	-16-*	5	0.813	1.315	4.75	0.50	7.25	7.19	3.38	3.31	0.88	2.16	6000 PSI
	-20-*			1.660									

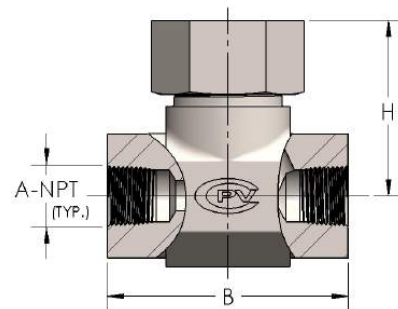
Note: Replace the third digit, "S" with an "N" to order a Needle valve. Example: G2NGPS-06-C

Note: Replace the third digit, "S" with a "C" to order a Check valve. Example: G2CGPS-06-C

*Add seal material letter designation. See ordering matrix on page 52.



Globe Hand Valve



Globe Check Valve