

Master Valve Series: GSB-6F

Description:

The GSB line of high-pressure gas shutoff and control valves offer higher operating pressure, higher flow rates, and greater reliability. These valves utilize a robust, soft-seated brass-body design and provide years of bubble-tight, leak-free operation in oxygen service. The GSB line is truly **G**reater, **S**tronger, and **B**etter than the competition in every possible way as they are the safest, most dependable, and highest-pressure valves in the industry.

Application:

The Master Valve GSB-4F-D is optimized for commercial applications worldwide, including the critical requirements of gas cylinder plants, panels, tube trailers, and manifolds.

Features & Benefits:

- Higher performance alternative to under-performing, lower quality, and lower pressure rated valves
- 6000 PSIG Inert Service; 6000 PSIG Oxygen Service
 - ASME Section VIII and ASME Section B31.3
- Oxygen Safe & Oxygen Compatible
 - Certified and Approved per ISO 10297 and ISO 7291
 - 100% Oxygen Cleaned and Packaged per CGA G-4.1 and ASTM G93 standards
- Highest Flow Coefficient in the industry
- Ergonomic handle designed for comfort and easy operation
- Low torque, even at full pressure
- Compact for easy Installation



CRN Number:
OC24018.5

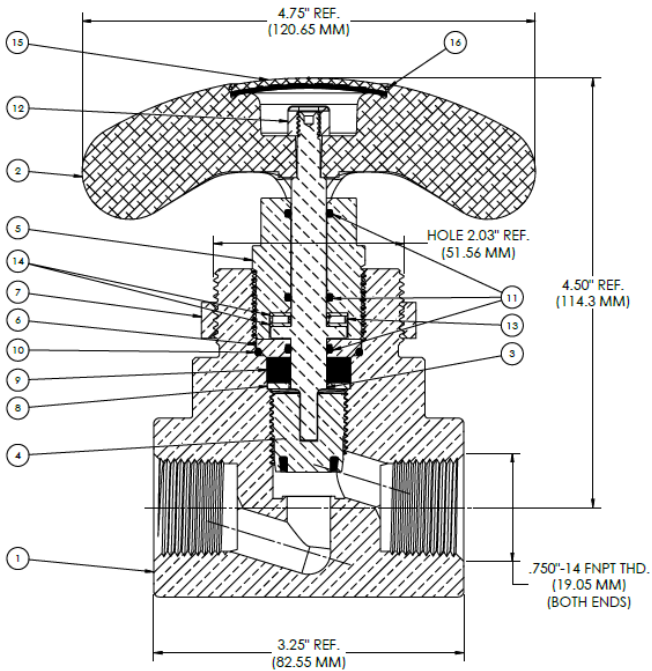
Technical Data:

Port Connection:	3/4" FNPT
Operating Pressure Range:	6000 PSIG (414 BAR) Oxygen 6000 PSIG (414 BAR) Inert
Operating Temperature:	-15°F to 400°F (-26°C to 205°C)
Flow Coefficient:	2.78
Production Testing: (100% Factory Tested)	6000 PSIG (414 BAR) Seat Test 6000 PSIG (414 BAR) Shell Test
Panel Mount:	Standard
Full Vacuum:	Standard

* For O-SEAL® port connection, See Master Valve: GSB-2FS Data Sheet.
(Pressure rating is 7800 PSI Inert Service; 6000 PSI Oxygen Service.)

Master Valve Series: GSB-6F

Product Specs/Dimensions:



Materials of Construction:

Standard Master Valve Materials		
Component	Material	Specification
Body	Naval Brass	ASTM B283
Handle	Aluminum 6061	ASTM B221
Stem	Monel®	ASTM B164
Guide Assembly	Copper Nickel 70/30	MIL-C-15726
Gland Nut	Naval Brass	ASTM B21
Retainer	Naval Brass	ASTM B21
Panel Nut	Naval Brass	ASTM B21
Packing Retainer	Commercial Grade Brass	
Packing	Viton® FKM	
O-Ring	Viton® FKM	
O-Ring	Viton® FKM	
Lock Nut	Commercial Grade Stainless Steel	
Thrust Bearing	Hardened Steel	
Bearing Washer	Hardened Steel	
Cap	Aluminum Crystal Coating	
Retaining Ring (Cap)	Commercial Grade Stainless Steel	
Lubricant	Turmoxygen LCO 45 plus	

Ordering Example:

GSB - G - 6F

Series:

GSB - Master Valve

Style:

G - Globe Valve

Port Size & Connection:

6F - 3/4" Female NPT



* For 1/2" Port Size & Connection, see Master Valve: GSB-4F Data Sheet.
(Pressures ratings are 6000 PSI Inert Service; 6000 PSI Oxygen Service.)