

# Master Valve Series: GSB-2FS

## Description:

The GSB line of high-pressure gas shutoff and control valves offer higher operating pressure, higher flow rates, and greater reliability. These valves utilize a robust, soft-seated brass-body design and provide years of bubble-tight, leak-free operation in oxygen service. The GSB line is truly **G**reater, **S**tronger, and **B**etter than the competition in every possible way as they are the safest, most dependable, and highest-pressure valves in the industry.

## Application:

The Master Valve GSB-2FS is optimized for commercial applications worldwide, including the critical requirements of gas cylinder plants, panels, tube trailers, and manifolds.

## Features & Benefits:

- Higher performance alternative to under-performing, lower quality, and lower pressure rated valves
- 7800 PSIG Inert Service; 6000 PSIG Oxygen Service
  - ASME Section VIII and ASME Section B31.3
- Oxygen Safe & Oxygen Compatible
  - Certified and Approved per ISO 10297 and ISO 7291
  - 100% Oxygen Cleaned and Packaged per CGA G-4.1 and ASTM G93 standards
- Highest Flow Coefficient in the industry
- Ergonomic handle designed for comfort and easy operation
- Low torque, even at full pressure
- Compact for easy Installation



CRN Number:  
0C24018.5

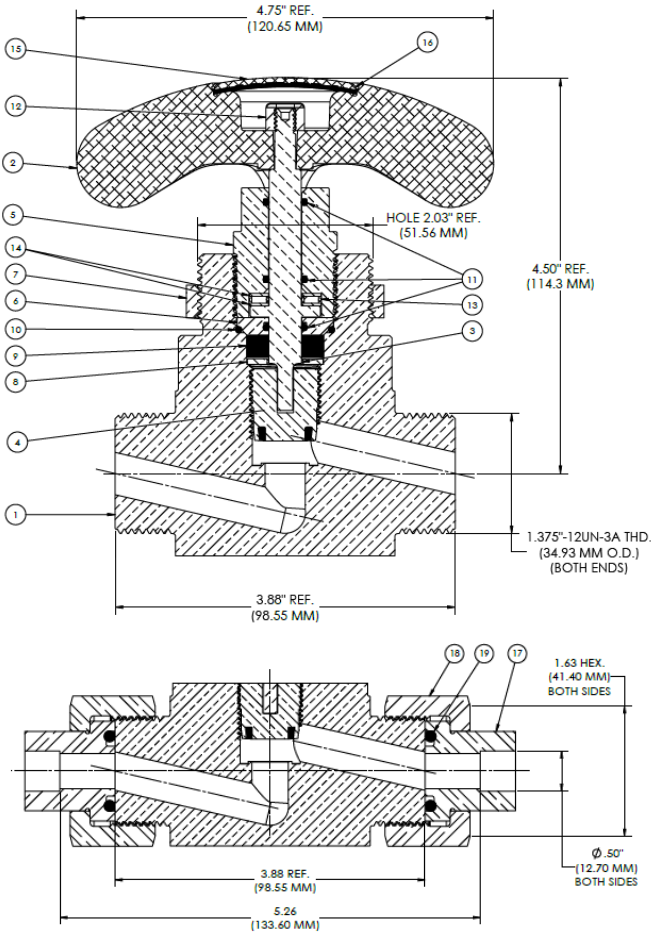
## Technical Data:

Port Connection:	1.375"-12 O-SEAL® Thread
Operating Pressure Range:	6000 PSIG (414 BAR) Oxygen 7800 PSIG (538 BAR) Inert
Operating Temperature:	-15°F to 400°F (-26°C to 205°C)
Burst Pressure:	38925 PSIG (2684 BAR)
Flow Coefficient:	2.78
Production Testing: (100% Factory Tested)	7800 PSIG (538 BAR) Seat Test 9000 PSIG (621 BAR) Shell Test
Panel Mount:	Standard
Full Vacuum:	Standard

\* For FNPT Port Connections, see Master Valve: GSB-4F / GSB-6F Data Sheets. (Pressure rating is limited to 6000 PSI Inert/Oxygen Service.)

# Master Valve Series: GSB-2FS

## Product Specs/Dimensions:



## Materials of Construction:

Standard Master Valve Materials		
Component	Material	Specification
Body	Naval Brass	ASTM B283
Handle	Aluminum 6061	ASTM B221
Stem	Monel®	ASTM B164
Guide Assembly	Copper Nickel 70/30	MIL-C-15726
Gland Nut	Naval Brass	ASTM B21
Retainer	Naval Brass	ASTM B21
Panel Nut	Naval Brass	ASTM B21
Packing Retainer	Commercial Grade Brass	
Packing	Viton® FKM	
O-Ring	Viton® FKM	
O-Ring	Viton® FKM	
Lock Nut	Commercial Grade Stainless Steel	
Thrust Bearing	Hardened Steel	
Bearing Washer	Hardened Steel	
Cap	Aluminum Crystal Coating	
Retaining Ring (Cap)	Commercial Grade Stainless Steel	
Lubricant	Turmoxygen LCO 45 plus	

### Valve with Fittings Included

For Inert Service Ordering Part Number: GSB-G-2FS-S		
Component	Material	Specification
Tailpiece (Socketweld Tube)	316L Stainless Steel	ASTM A276
Union Nut	316L Stainless Steel	ASTM A276
O-Ring	Viton® FKM	

For Oxygen Service Ordering Part Number: GSB-G-2FS-M		
Component	Material	Specification
Tailpiece (Socketweld Tube)	Monel®	ASTM B164
Union Nut	Monel®	ASTM B164
O-Ring	Viton® FKM	

## Ordering Example:

**GSB - G - 2FS M**

Series:  
GSB - Master Valve

Style:  
G - Globe Valve

Port Size & Connection:  
2FS - 1.375" - 12UNF O-SEAL®

Valve with Fittings Included:  
S - Stainless Steel for Inert Service  
M - Monel® for Oxygen Service

